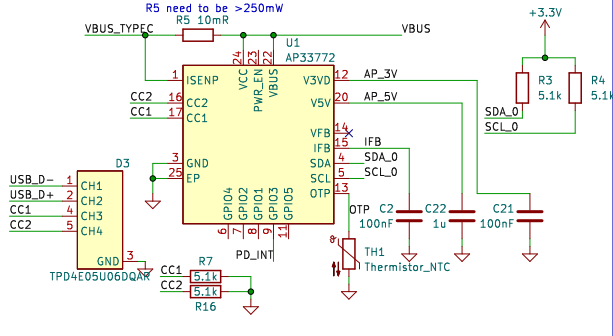
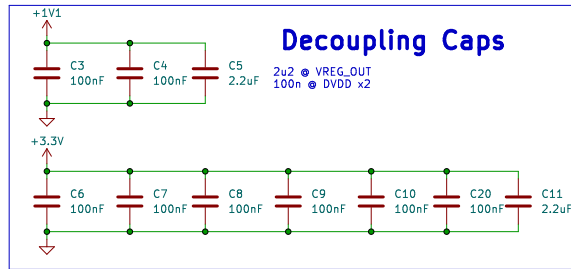


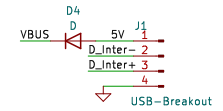
### USB PD Controller



### Decoupling Caps

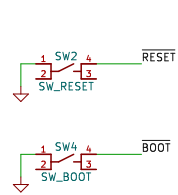


### USB Breakout

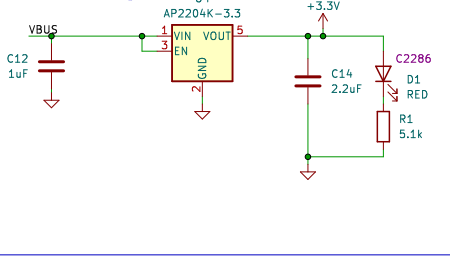


Author: CentyVin

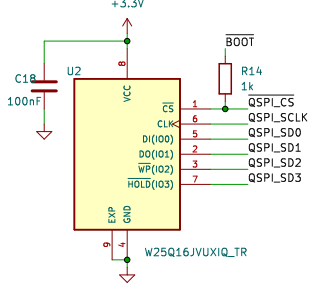
### Buttons



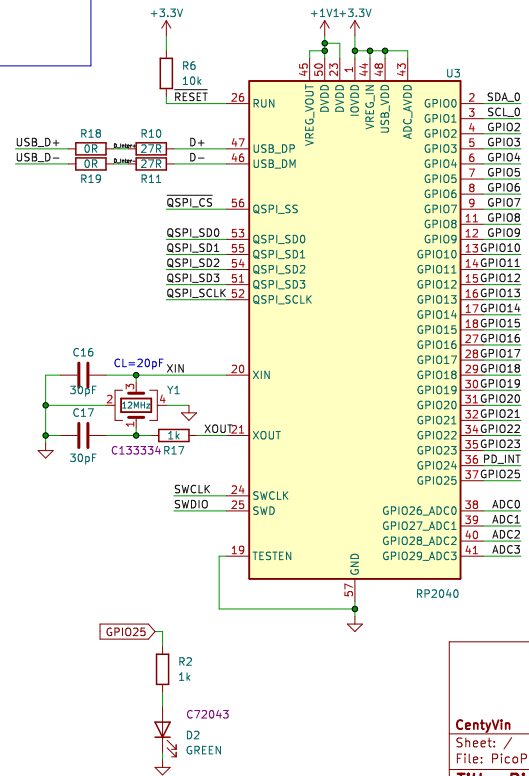
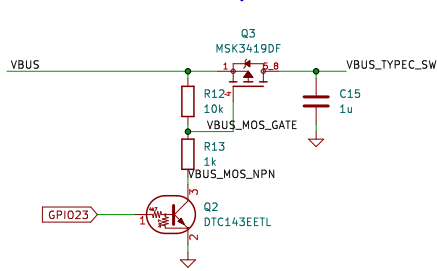
### 5-24V regulator to 3.3V



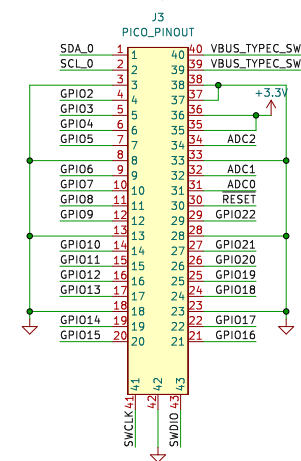
### SPI Flash



### 30V, 5A switch for power



### Board pinout



<b>CentyVin</b>			
Sheet: /			
File: PicoPD.kicad_sch			
<b>Title: PicoPD</b>			
Size: USLegal	Date:	Rev: 1.0	
KiCad E.D.A. kicad 7.0.2		Id: 1/1	